

MPG 03 NC / NO

2/2 way valve (pneumatically operated)

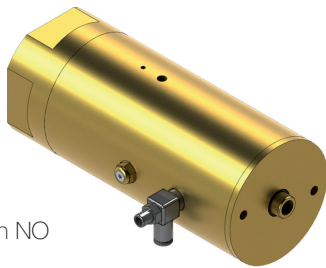


Illustration NO

- ♦ Medium : inert gases / rare gases / O₂ / CO₂ / air, other media on request
- ♦ Function NC (normally closed) or NO (normally open)
- ♦ Suitable for high-pressure oxygen service
- ♦ Approval : BAM
- ♦ Conformity : ATEX

The valves MPG 03 NC (normally closed) and MPG 03 NO (normally open) are 2/2 way valves, which are pneumatically operated. By the use of pilot media, the valves open and close against the spring load (depending on the type of valve).

Technical data

♦ Pressure range	PN 420
♦ Standard connections	G 1/4, NPT 1/4
♦ Nominal diameter	DN 03
♦ Actuation	3/2 way pilot valve
♦ Pilot pressure	7 bar
♦ Pilot connections	4 mm
♦ Media temperature	from -40 °C to +80 °C
♦ Ambient temperature	from -40 °C to +60 °C
♦ Leak rate	10 ⁻⁶ mbar l/s
♦ Actuation time / opening	Type NC 280 - 16000 ms (adjustable with nozzle) / type NO 80 ms
♦ Actuation time / closing	Type NC 80 ms / type NO 280 - 16000 ms (adjustable with nozzle)
♦ Flow direction	A → B B → A
♦ Kv-value	0,25 m ³ /h 0,29 m ³ /h
♦ Weight	2,0 kg

Version February 2016

Function

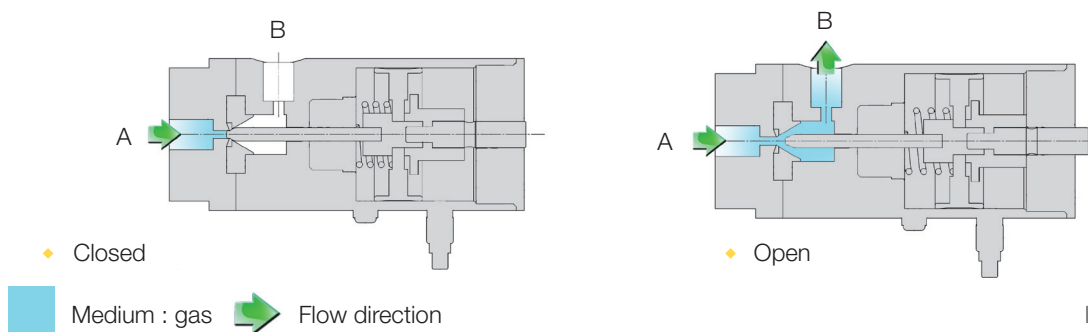
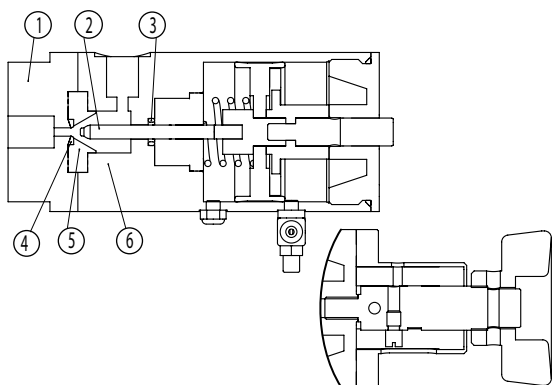


Illustration NO

Options with these valve types

- ◆ Connections
 - Threaded female socket (brass) G 1/4, NPT 1/4
 - Further connections available, wide range of adapters on stock
- ◆ Different types of limit switches available
- ◆ Pneumatic version with manual override available (type MPG 03 NC-HD)
- ◆ Assembly in compact manifolds (possibility to join up to 5 valves on 1 module)
- ◆ Other options on request

Material specification, Spare parts, Accessories



Position	Description	Material
1	Lower valve body	Brass
2	Valve spindle	Monel
3	Spindle seal	Turcon®
4	Valve seal	PEEK
5	Valve seat holder	Brass
6	Valve body	Brass

Detailed illustration of pneumatic version
(Typ MPG 03 NC-HD)

Spare parts	Article number	
Seal kit for Standard valves:	20160	
◆ Pilot valve 3/2-way, 24V DC:	10314	
Assembly with 5 m cable:	10315	
Assembly with 10 m cable:	10316	
◆ Limit switch (NC or NO)	2-wire	3-wire
Assembly without cable:	12029	12033
Assembly with 5 m cable:	12027	12031
Assembly with 10 m cable:	12028	12032

Dimensions

